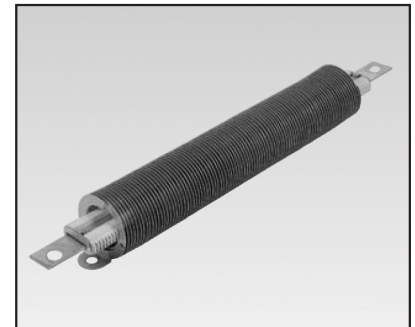


Edge Wound Resistors

GENERAL SPECIFICATIONS

Model	Power Rating		Resistance Range[Ω]		Resistance(%)
	With Fan	In Free Air	EWS	EWF	
EWS / EWF 1200	600W	400W	0.02 ~ 0.25	0.26 ~ 3.3	J [±5.0] K [±10]
EWS / EWF 1700	1000W	600W	0.029 ~ 0.28	0.39 ~ 4.95	
EWS / EWF 2300	1.3kW	800W	0.039 ~ 0.50	0.51 ~ 6.6	
EWS / EWF 2800	1.6kW	1kW	0.051 ~ 0.63	0.64 ~ 8.2	
EWS / EWF 3400	2kW	1.2kW	0.061 ~ 0.75	0.76 ~ 9.9	
EWS / EWF 3900	2.3kW	1.4kW	0.071 ~ 0.88	0.89 ~ 11.5	
EWS / EWF 4400	2.6kW	1.6kW	0.081 ~ 1.00	1.10 ~ 13.2	



CHARACTERISTICS

Temperature Range	-55°C ~ +375°C
Insulation Resistance	100MΩ minimum
Dielectric Withstanding Voltage	AC 2000V for 1 minute

% INCREASE IN RATED CURRENT

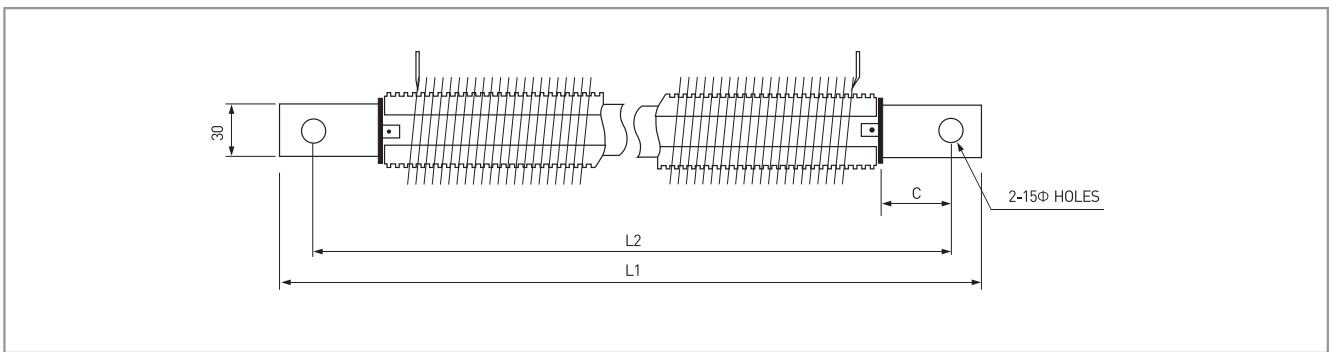
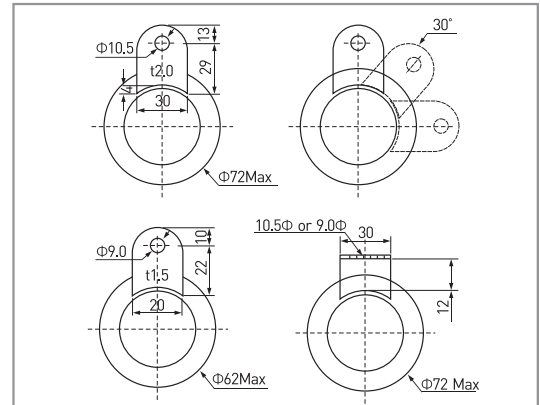
%ED	5%	10%	15%	40%	60%
Increased Rated Current	2.5×Current Rating	1.8×Current Rating	1.6×Current Rating	1.25×Current Rating	1.15×Current Rating

RATED CURRENTS BY MODELS AND OHMIC VALUES

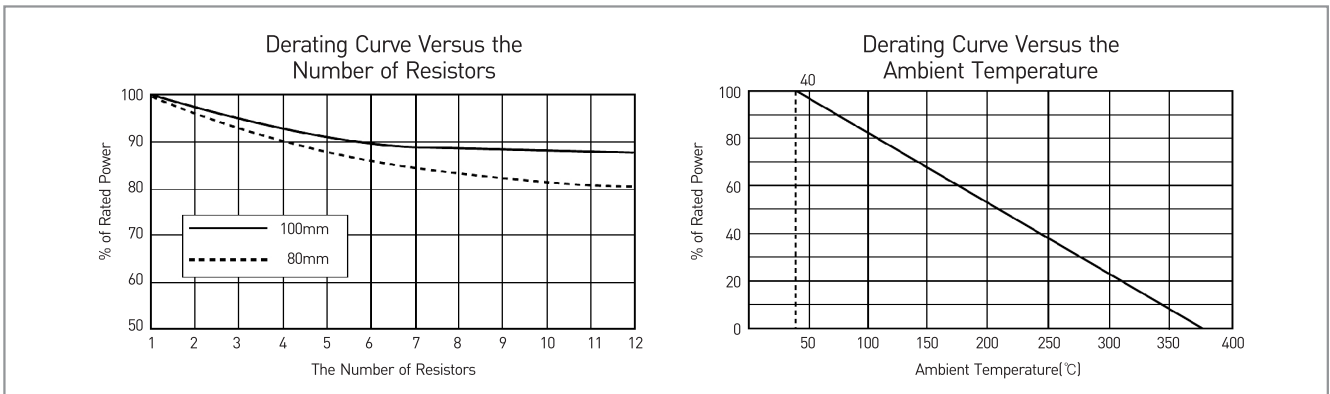
Resistance[Ω]							Rated Current	D#
EWS / EWF 1200	EWS / EWF 1700	EWS / EWF 2300	EWS / EWF 2800	EWS / EWF 3400	EWS / EWF 3900	EWS / EWF 4400		
0.02	0.029	0.039	0.051	0.061	0.071	0.081	140	69
0.023	0.035	0.047	0.059	0.071	0.082	0.094	130	65
0.027	0.041	0.055	0.069	0.083	0.097	0.111	120	65
0.033	0.049	0.066	0.082	0.099	0.115	0.132	110	72
0.04	0.06	0.08	0.1	0.12	0.14	0.16	100	72
0.044	0.066	0.088	0.110	0.132	0.155	0.177	95	72
0.049	0.074	0.098	0.123	0.148	0.172	0.197	90	72
0.055	0.083	0.110	0.138	0.166	0.193	0.221	85	71
0.062	0.093	0.125	0.156	0.187	0.218	0.25	80	67
0.071	0.106	0.142	0.177	0.213	0.248	0.284	75	65
0.081	0.122	0.163	0.204	0.244	0.285	0.326	70	69
0.094	0.142	0.189	0.236	0.284	0.331	0.378	65	65
0.111	0.166	0.222	0.277	0.333	0.388	0.444	60	67
0.132	0.198	0.264	0.330	0.396	0.462	0.528	55	71
0.16	0.24	0.32	0.4	0.48	0.56	0.64	50	71
0.197	0.296	0.395	0.493	0.592	0.691	0.790	45	67
0.25	0.375	0.5	0.625	0.75	0.875	1	40	67
0.326	0.489	0.653	0.816	0.979	1.142	1.306	35	67
0.444	0.666	0.888	1.111	1.333	1.555	1.777	30	65
0.64	0.96	1.28	1.6	1.92	2.24	2.56	25	61
1	1.5	2	2.5	3	3.5	4	20	55

DIMENSIONS [mm]

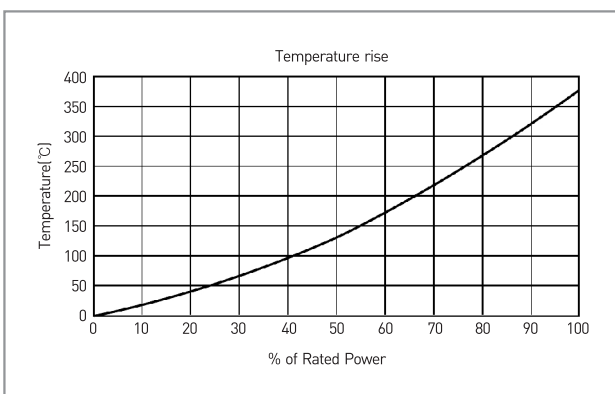
Model	Dimensions [mm]		
	L1±3	L2±3	C±2
EWS / EWF 1200	240	205	18 ~ 23
EWS / EWF 1700	310	275	
EWS / EWF 2300	380	345	
EWS / EWF 2800	450	415	
EWS / EWF 3400	520	485	
EWS / EWF 3900	590	555	
EWS / EWF 4400	660	625	



DERATING CURVES



SURFACE TEMPERATURE VERSUS POWER LOAD



ORDERING PROCEDURE EXAMPLE

EWS1200 **140A** **0.02Ω** **J**
 ↓ ↓ ↓ ↓
Model # **Rated Amps** **Resistance** **Tolerance**

When designing your system specifications, or if you have any questions, contact the RARA design team for more information.