

RSR

Shunt Resistor

Power converters and current measurement instruments. Large current shunt resistor for ampere-meters, designed for standard current measurement of electric equipment. Easy current measurement is performed by attaching to current bus bar directly and connecting to ampere-meter through flexible wires.

- This products (0.1%, 0.2%, 0.5%, and 1.0%) must be ordered separately
- The 60mV Product must be ordered separately



GENERAL SPECIFICATIONS

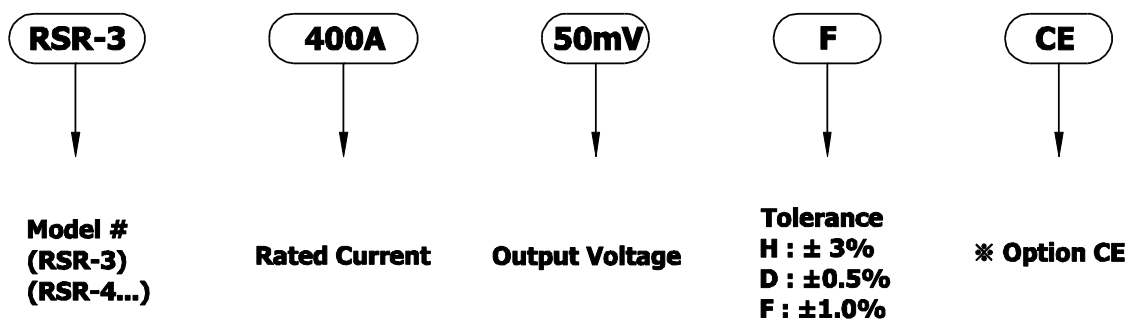
Model	RSR-1				RSR-2			RSR-3				RSR-4			RSR-5	
Rated Current	10A	15A	20A	30A	100A	120A	150A	400A	500A	600A	700A	1000A	1500A	2000A	2500A	3000A
	40A	50A	60A	75A	200A	250A	300A									
Weight	100g				300g			300g	600g		1.8kg	2.1kg	2.5kg	3.5kg	13kg	

※ Also available in extended rated current of 4000A to 15000A. Please ask RARA for more info on this.

CHARACTERISTICS

Item	RSR-1,	RSR-2,	RSR-3,	RSR-4,	RSR-5
Rated Voltage Drop	50mV, 60mV (Option : 100mV)				
Accuracy	Standard 3.0% (1.0%, 0.5%)				
Temperature Range	- 55°C ~ + 60°C				

ORDERING PROCEDURE EXAMPLE

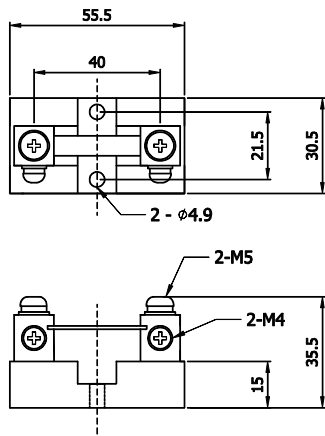


Please ask RARA for more info on this.

■ DIMENSIONS (Output 50mV, 60mV Standard)

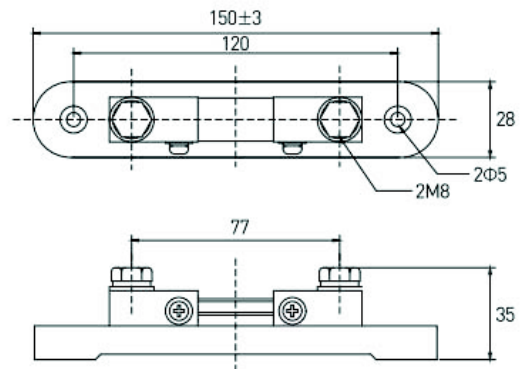
Unit : mm

RSR-1



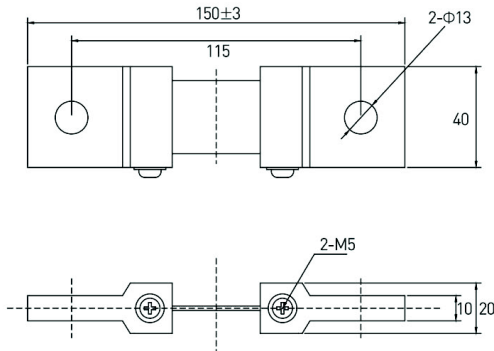
* Other Tolerance : ± 3mm

RSR-2



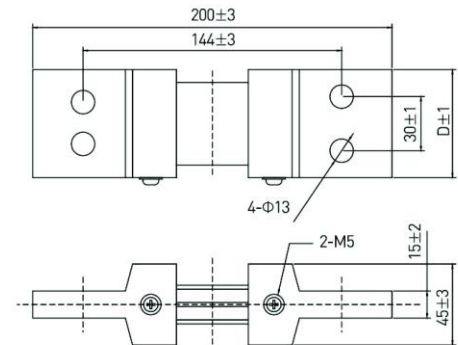
*Other tolerance : ±3mm

RSR-3



*Other tolerance : ±3mm

RSR-4



Dimensions	1000A	1500A	2000A
D±3	70	90	100

RSR-5

