

CS CURRENT SENSING RESISTORS



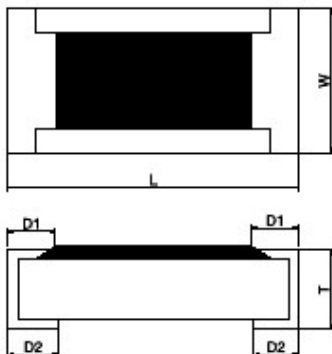
INTRODUCTION

- Low TCR from +-100ppm TO +-600ppm
- Resistance values from 10mohms TO 1ohm
- Utilizes a high purity alumina substrate for high power dissipation
- Applications: SMPS (DC-DC converter, charger, adaptor), monitor, NB, MB (For power management)

GENERAL SPECIFICATIONS

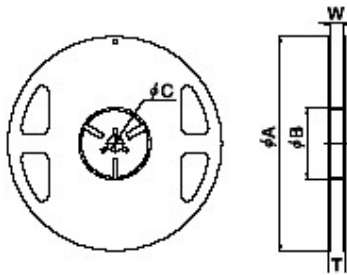
Model	Power Rating [W]	Operating Temp.	Resistance[ohm]	TCR [ppm]	Tolerance[%]
CS02 (0402)	1/16	-55C-125C	50m - 100m 101m - 500m 501m - 1000m	+ -400 + -300 + -200	+ -1 + -2 + -5
CS03 (0603)	1/10		20m - 50m 51m - 100m 101m - 500m 501m - 1000m	+ -600 + -400 + -300 + -200	
CS05 (0805)	1/8		20m - 50m 51m - 100m 101m - 500m 501m - 1000m	+ -600 + -400 + -300 + -200	
CS06 (1206)	1/4		10m - 20m	+ -600	
CS10 (2010)	3/4		21m - 50m	+ -400	
CS12 (2512)	1		51m - 500m 501m - 1000m	+ -300 + -200	
CS25 (1225)	3		3m - 10m 11m - 19m 20m - 50m 51m - 200m	+ -450 + -300 + -200 + -150	
CS37 (3720)	1		10m - 19m 20 - 500m	+ -300 + -150	
CS75 (7520)	2		1m - 4m	+ -300	
			5m - 10m 11m-350m	+ -200 + -150	

DIMENSIONS



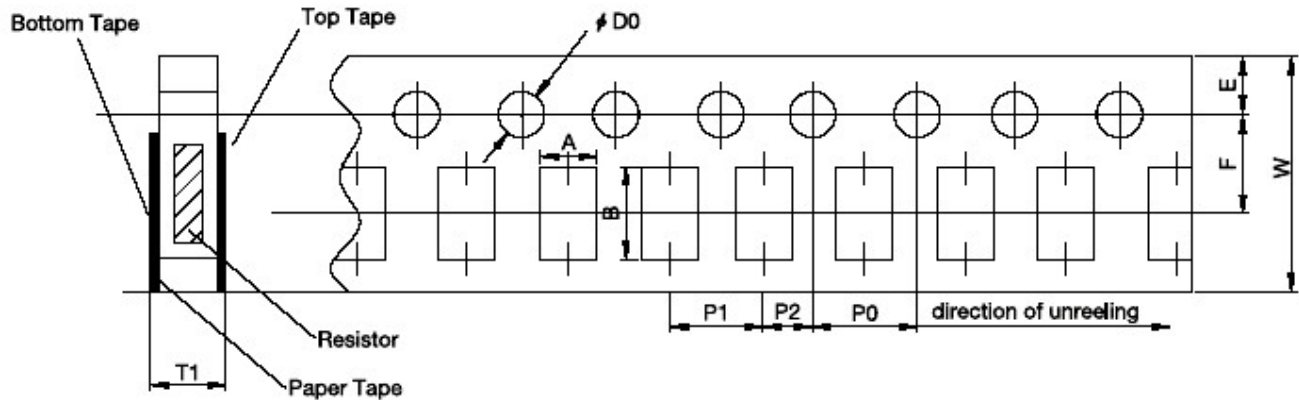
Model	DIMENSIONS [mm]				
	L	W	T	D1	D2
CS02	1.00 +- 0.05	0.50 +- 0.05	0.32 +- 0.05	0.25 +- 0.10	0.20 +- 0.10
CS03	1.60 +- 0.10	0.80 +- 0.10	0.45 +- 0.10	0.30 +- 0.20	0.30 +- 0.20
CS05	2.00 +- 0.15	1.25 +- 0.15	0.50 +- 0.10	0.30 +- 0.20	0.30 +- 0.20
CS06	3.10 +- 0.15	1.55 +- 0.15	0.60 +- 0.10	0.50 +- 0.30	0.40 +- 0.20
CS10	5.00 +- 0.15	2.50 +- 0.15	0.60 +- 0.10	0.60 +- 0.30	0.50 +- 0.25
CS12	6.30 +- 0.15	3.10 +- 0.15	0.60 +- 0.10	0.60 +- 0.30	0.50 +- 0.25
CS37	3.75 +- 0.20	2.00 +- 0.20	0.60 +- 0.10	0.40 +- 0.20	0.40 +- 0.20
CS75	7.50 +- 0.30	2.00 +- 0.20	0.60 +- 0.10	0.40 +- 0.20	0.40 +- 0.20

PACKAGING REEL SPECIFICATIONS



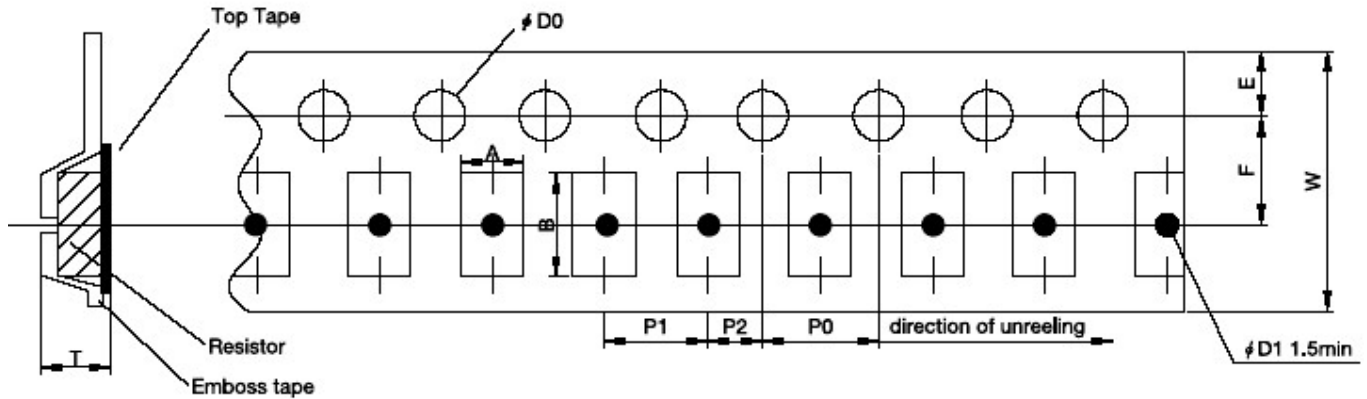
Model	DIMENSIONS [mm]					paper Tape [pcs]	Emboss Plastic Tape [pcs]
	ØA	ØB	ØC	W	T		
CS02	178+-1	60+-1	13+-1.0	9.0+-0.5	11.4+-1.0	10,000	
CS03							
CS05							
CS06				14.0+-0.5	16.4+-1.0	5,000	
CS10							
CS12							
CS25							
CS37				17.0+-0.5	19.0+-1.0	4000	
CS75							

PAPER TAPE SPECIFICATIONS



Model	A	B	W	F	E	P1	P2	P0	ØD0	T
CS02	0.62 +- 0.05	1.12 +- 0.05	8.00 +- 0.10	3.50 +- 0.05	1.75 +- 0.05	2.00 +- 0.02	2.00 +- 0.05	4.00 +- 0.05	1.55 +- 0.05	0.50 +- 0.10
CS03	1.10 +- 0.10	1.90 +- 0.10				0.70 +- 0.10				
CS05	1.60 +- 0.15	2.40 +- 0.20				0.80 +- 0.10				
CS06	2.00 +- 0.15	3.60 +- 0.20				0.80 +- 0.10				

EMBOSSED PLASTIC TAPE SPECIFICATION



Model	A	B	W	F	E	P1	P2	P0	ØD0	T1
CS10	2.85 +- 0.10	5.45 +- 0.20	12.00 +- 0.10	5.50 +- 0.05	1.75 +- 0.05	4.00 +- 0.05	2.00 +- 0.05	4.00 +- 0.05	1.50 +- 0.10	1.00 +- 0.20
CS10	3.40 +- 0.10	6.65 +- 0.20								1.55 +- 0.05
CS25	3.38 +- 0.10	6.68 +- 0.10	12.00 +- 0.30	5.50 +- 0.10					1.55 +- 0.05	1.45 +- 0.20
CS37	2.50 +- 0.20	4.45 +- 0.20								
CS75	2.50 +- 0.20	8.30 +- 0.20							16.00 +- 0.30	7.80 +- 0.05

ORDERING INFORMATION

