

LR ULTRA LOW OHMIC VALUE METAL STRIP CHIP RESISTORS



GENERAL SPECIFICATIONS

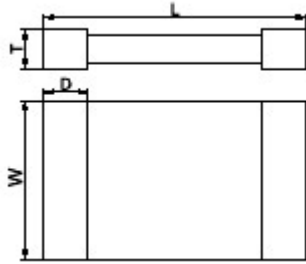
Type	Power Rating [W]	Resistance [milliohms]	TCR [ppm/C]	Operating Temp	Tolerance
LR06	1	1.0-10.0	50	-55C-170C	F[+-1] G[+-3] J[+-5]
LR10	1.5	1.0-10.0	50		
LR12	1	2.5-3.0	150		
		4.0-5.0	100		
		6.0-7.0	75		
		11-15	50		
LR12 (High Power)	2	1.0-10.0	50		
		0.5-2.0	50		
	2.5	7.0-10.0	50		
		4.0-6.0	50		
	3	0.5-0.75	100		
		1.0-2.0	50		
		3.0	50		

CHARACTERISTICS

Values in [] mean change in ohmic value after test

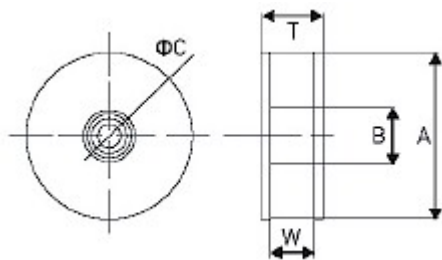
Item	Specification		
	Black Coating	Green Coating	
Temperature Coefficient of Resistance	As per specs		MIL-STD-202, Method304; +25/-55/+125/+25C
Thermal Shock	+/-0.5%	+-1%	MIL-STD-202, Method 107G : -55C to +150C , 100 cycles
Short Time Overload	+/-0.5%		JIS-C-5202-5.5: RCWV X 2.5 or Max Overloading Voltage,5sec
Resistance to Dry Heat	+-1%		JIS-C-5202-7.2: 96hrs. @ +125C without load
Load Life			MIL-STD-202 M108: RCWV,70C ,1.5hr.ON, 0.5hr.OFF 1K to 1048hr
Resistance to Soldering heat	+/-0.5%		MIL-STD-202F-Method210E: 260 ±5C , 10±1sec
Soldering Ability	[95%min coverage] MIL-STD-202F-Method210E: 260 ±5 C , 2±0.5sec		

DIMENSIONS



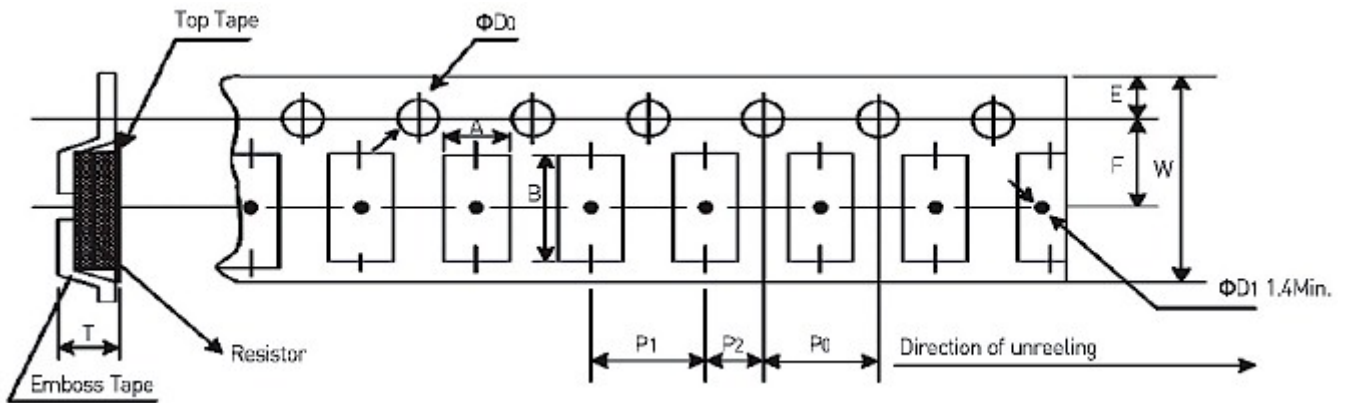
Type	Resistance [milliohms]	L	W	T	D				
LR06	1.0-10.0	3.20+-0.25	1.60+-0.10	0.60+-0.20	0.98+-0.38				
LR10	1.0-10.0	5.08+-0.25	2.54+-0.15	0.60+-0.20	1.67+-0.63				
LR12	0.50-0.75	6.35+-0.25	3.18+-0.35	1.00+-0.20	1.93+-0.75				
LR12	1.0-22		3.18+-0.35	0.60+-0.20	1.93+-0.75				
LR12	0.5		3.18+-0.25	1.40+-0.20	1.00+-0.20	1.30+-0.30			
LR12	0.75				0.80+-0.20				
LR12	1.00				0.65+-0.20				
LR12	1.50				0.50+-0.20				
LR12	2.00				1.00+-0.20				
LR12	2.50				0.70+-0.20				
LR12	3.00				0.41+-0.20				
LR12	3.50				0.60+-0.20				
LR12	4.00				0.58+-0.20				
LR12	4.50				0.50+-0.20				
LR12	5.00				0.47+-0.20				
LR12	5.50				0.50+-0.20				
LR12	6.00				0.47+-0.20				
LR12	6.50				0.45+-0.20				
LR12	7.00				0.80+-0.15		1.90+-0.15		
LR12	10.0				6.35+-0.35		3.20+-0.25	0.80+-0.15	1.90+-0.15

REEL SPECIFICATIONS



Model	Dimensions [mm]					Embossed Plastic Tape [pcs.]
	ØA	ØB	ØC	W	T	
LR12	180 +0 -3	180 +1 -0	13.0+-1.0	9.0+-0.5	11.4+-1.0	2000 2000

EMBOSED PLASTIC TAP7.00E SPECIFICATIONS



Size	Resistance	A	B	W	E	F
LR10	1-10	2.85+/-0.1	5.55+/-0.1	12.0+/-0.2	1.75+/-0.1	5.5+/-0.05
LR12	0.50	3.40+/-0.1	6.70+/-0.1	12.0+/-0.1	1.75+/-0.1	5.5+/-0.05
	0.75	3.50+/-0.1	6.80+/-0.1	12.0+/-0.1	1.75+/-0.1	5.5+/-0.05
	1-22	3.40+/-0.1	6.70+/-0.1	12.0+/-0.1	1.75+/-0.1	5.5+/-0.05

Size	Resistance	P0	P1	P2	ØD0	T
LR10	1-10	4.0+/-0.1	4.0+/-0.1	2.0+/-0.05	1.50+/-0.1	0.85+/-0.1
LR12	0.50	4.0+/-0.05	4.0+/-0.1	2.0+/-0.05	1.50+/-0.1	1.40+/-0.1
	0.75	4.0+/-0.05	4.0+/-0.1	2.0+/-0.05	1.50+/-0.1	1.35+/-0.1
	1-22	4.0+/-0.05	4.0+/-0.1	2.0+/-0.05	1.50+/-0.1	0.80+/-0.1

ORDERING PROCEDURE EXAMPLE

