

PHPS PRECISION HIGH POWER METAL CLAD SHUNTS



Precision Metal Clad Resistors are designed with four terminals to isolate voltage and current. This enables very precise current measurement. These units exhibit a high load capacity as well as excellent accuracy and low inductance. The simple four port Kelvin design and heavy copper terminals ensure easy installation on large current bus bars. Applications include: Battery manufacturing test jigs, current detection in precise power sources, constant current sources, industrial power conversion circuits, HEVs, fuel cells and constant electronic loads

SPECIFICATIONS

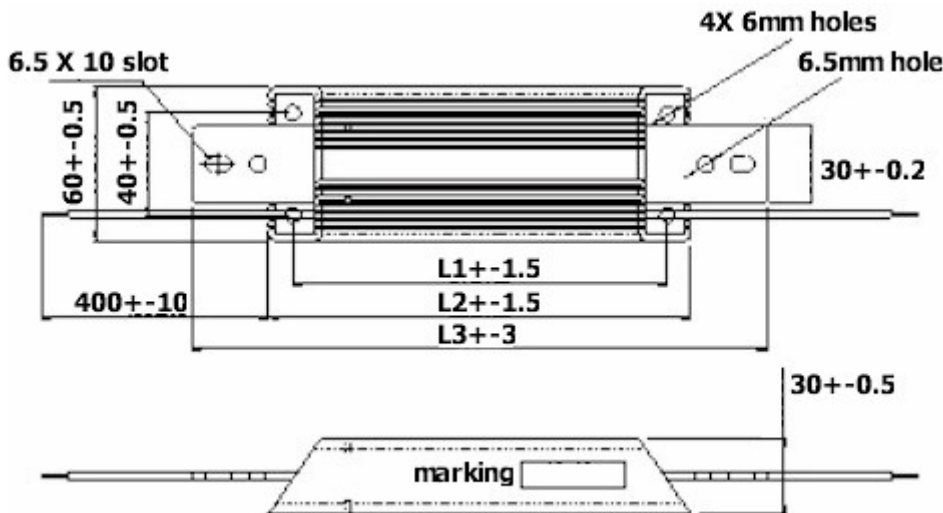
Model	Rated Current[A]	Rated Voltage[V]	Resistance Value[Ω]	Tolerance[%]
PHPS500	400	0.1	0.2500m	D[±0.5]
	500		0.2000m	
PHPS300	300		0.3333m	
	250		0.4000m	
PHPS200	250		0.4000m	
	200		0.5000m	
	150		0.6666m	
	100		1.0000 m	

CHARACTERISTICS

Values in [] mean change in ohmic value after test

Temperature Range		-55c TO +200C
Insulation Resistance		100MΩ minimum
Dielectric Withstanding Voltage		AC 1500V for 1 minute
Temp. Coefficient		Max. 15ppm/C [20C and 60C]
Short Time Overload	[±0.3%]	5 X Power rating 5 sec.
Moisture Resistance	[±0.5%]	40C, 95% RH, DC100V case to terminal, 500 hours
Thermal Shock	[±0.2%]	-65C 30 minutes, +90C 30 minutes 25 cycles
Vibration	[±0.2%]	10Hz-55Hz-10Hz(1 minute), 2 hours each direction
Moisture Load Life	[±0.5%]	40C, 95% RH, 0.1XPower rating 1.5 hrs on, 30 min. off, 500 hrs
Load Life	[±0.5%]	Power rating 1.5 hours on, 30 minutes off, 500 hours

DIMENSIONS



Model	L1±1.5	L2±2	L3±2
PHPS500	316	335	395
PHPS300	196	215	275
PHPS200	146	165	225