

SMF POWER METAL FILM CHIP RESISTORS

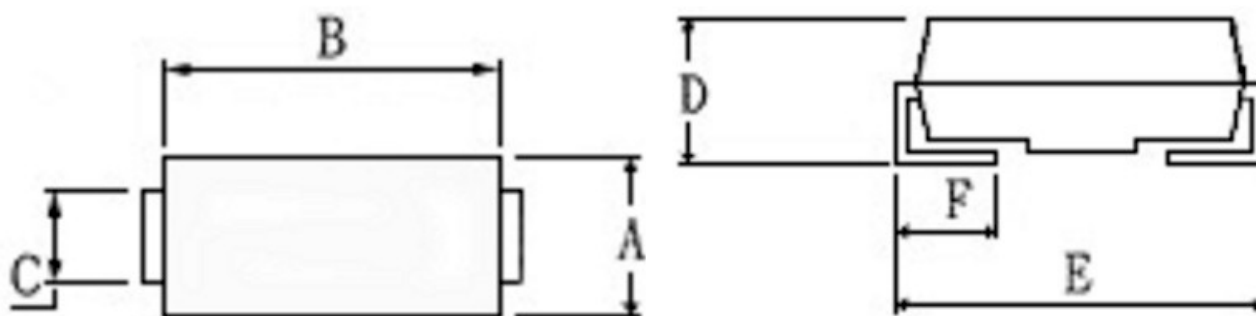
Features

- Flameproof UL94V0 molded package, resistant to heat, humidity & insulation
- Special design for automatic surface mounting
- Excellent mechanical strength & electrical stability
- Reduced assembly costs



■ GENERAL SPECIFICATIONS AND DIMENSIONS

Model	Dimension[mm]						Resistance Range	Max. Working Voltage
	A±0.3	B±0.3	C±0.3	D±0.3	E max.	F±0.3		
SMF 1W	3.3	4.5	1.2	2.7	6	1.1	1Ω~2MΩ	300V
SMF 2W	4	6.7	1.4	3.55	7.9	1.5	1Ω~2MΩ	300V
SMF 3W	5.5	10.5	1.7	5	12	2.3	1Ω~2MΩ	500V
SMF 5W	7.3	13.5	1.7	6.8	17	2.5	1Ω~2MΩ	500V

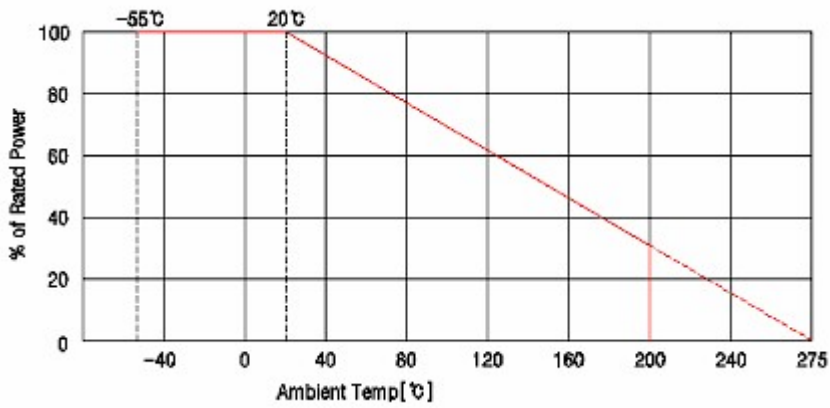


■ CHARACTERISTICS

Values in [] mean change in Ω after test

Temperature Range		-55C~+200C
Temp. Coefficient		JIS-C-5202-5.2 ±100ppm/C
Short Time Overload	ΔR±0.5%	JIS-C-5202-5.5 5 x Power rating 5 sec.
Rated Load	ΔR±0.5%	JIS-C-5202-5.4 Rated Voltage for 30 minutes
Insulation Resistance	500V megger	JIS-C-5202-5.6 10,000MΩ
Load Life	ΔR±1%	JIS-C-5202-7.10 Power rating 1.5hours on, 30 minutes off, 1000hours
Moisture Load Life	ΔR±1%	JIS-C-5202-7.9 40C, 95%RH, 0.1 x Power rating, 1.5 hours on, 30 minutes off, 500hours

DERATING CURVE



ORDERING PROCEDURE EXAMPLE

