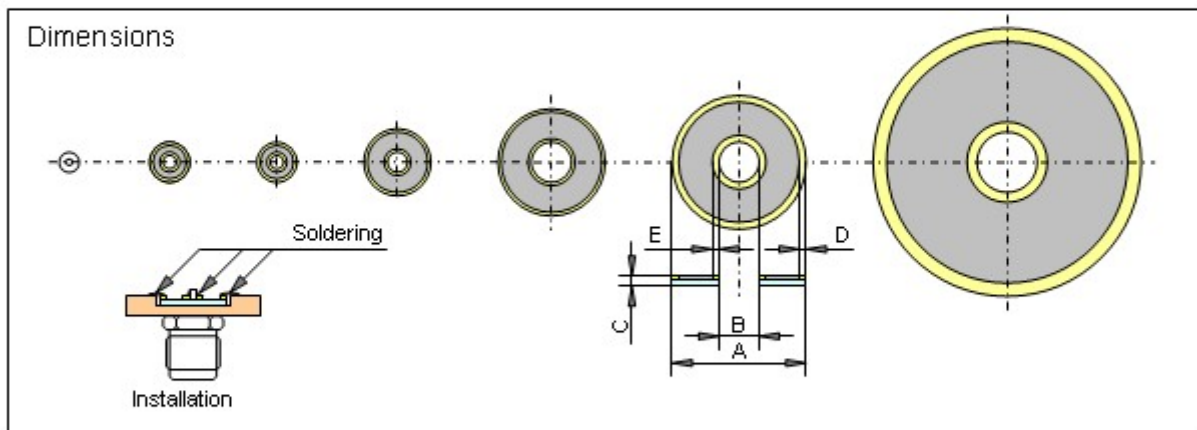


TF DISK RESISTORS



Features and Applications

These are disk resistors designed for high frequency terminations. They are easy to integrate with coaxial connectors to printed circuit boards. This will result in a high performance termination. These have thin film elements mounted on a highly heat conductive substrate. These have a maximum operation temperature of 155C. These have a low TCR of +/-25ppm/K and +/-1% tolerance. Original spoke-trimming ensures excellent stability and long life. Application include: Mobile communications system, measuring instruments, high frequency power supply equipment.



P/N	A max (mm)	B min (mm)	C (mm)	D (mm)	E (mm)
RFE008	0.8	0.26	0.8	0.2	0.2
RFE016	1.6	0.8	0.8	0.2	0.2
RFE027	2.7	0.8	0.8	0.2	0.2
RFE030	3.0	1.4	0.8	0.2	0.2
RFE048	4.8	1.4	0.8	0.2	0.2
RFE078	7.8	2.9	0.8	0.2	0.2
RFE099	9.9	2.9	0.8	0.2	0.2
RFE205	20.5	6.0	0.8	0.2	0.2

Ordering Information

Ordering P/N	Type	Input resistance TC	Input resistance	Input resistance Tolerance	Code
RFE030E50RFZ00	RFE030	E (+/-25ppm/K)	50 ohm	F (+/-1%)	Z00
RFE048E50RFZ00	RFE048	E (+/-25ppm/K)	50 ohm	F (+/-1%)	Z00
RFE078E50RFZ00	RFE078	E (+/-25ppm/K)	50 ohm	F (+/-1%)	Z00

Specifications and Performances

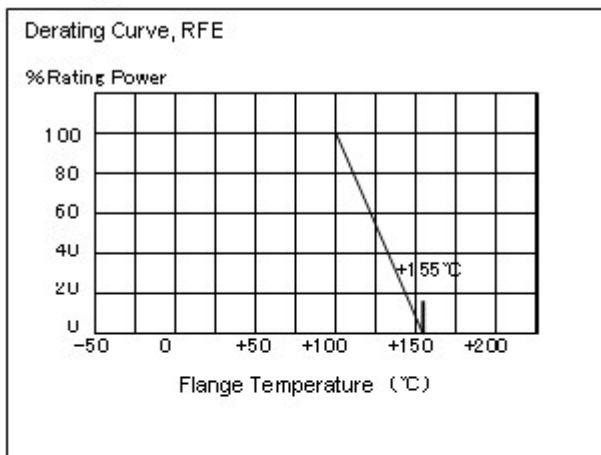
	RFE016	RFE027	RFE030	RFE048	RFE078	RFE099
Rating Power (Watts)	0.5W	0.5W	0.5W	1.0W	1.0W	2W
Standard Resistance(Ohms)	50	50	50	50	50	50
Absolute TCR (+/-ppm/°C)	+/- 25 ppm/K (E)					
Absolute Tolerance (+/-%)	+/- 1.0% (F)					
Max Working Voltages (V)	$\sqrt{P \cdot R}$					

Note: Specifications RFE008 and RFE205, please call factory.

Performances

	Specification	Conditions and Note
Temperature Cycle	+/-0.05%	-55C30min, +120C30min, 20cycles.
Short Time Over Load	+/-0.05%	Rating Powerx2.5, 5seconds
Solder ability	Covered 95%	235C, 2seconds
Solvent	No damage	IPA test
Terminal Strength	+/-0.05%	
Withstanding Voltage	+/-0.03%	
Soldering Heat	+/-0.03%	350C, 3seconds.
Load Life	+/-0.05%	1000 hours
Humidity	+/-0.05%	1000 hours
Shelf Life Stability	+/-0.03%	One year at 25C
Operating Temp	-55 to +155C	
Storage Temp. Range	-55 to +155C	

Derating



Typical HF Characteristic:

IN PREPARATION

Design of Coaxial Termination

