

TSA TELECOMMUNICATION SURGE ABSORBER



TSA surge absorbers protect sensitive telecommunication systems and power supplies by absorbing the incoming voltage and current noise arising from signal generation or by lightning strikes. These units feature a quick response and high stability to voltage surges and are polarity free. Some models are recognized by UL (File No. E208457) Check with your nearest RARA dealer for more details.

GENERAL SPECIFICATIONS

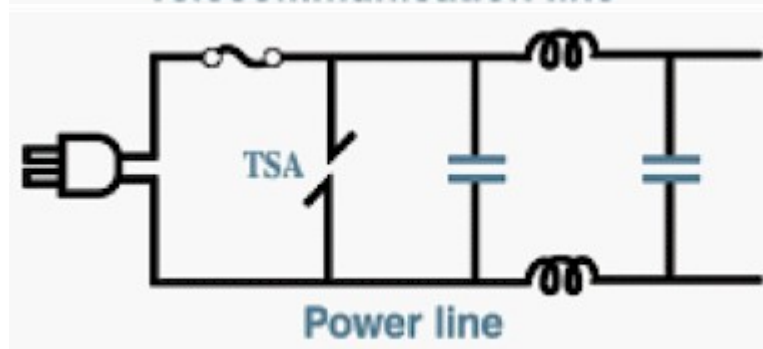
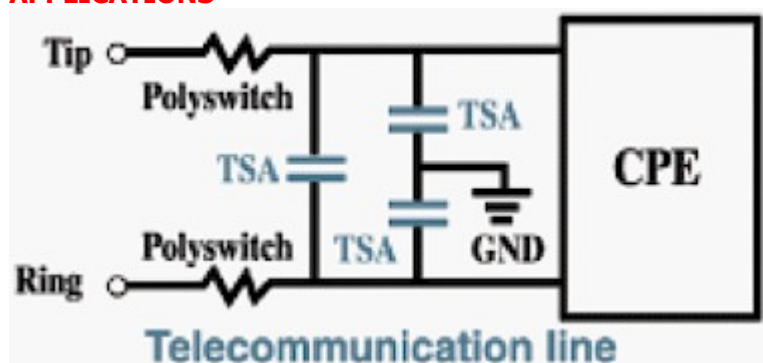
Model	DC spark-Over Voltage(V)	Insulated Resistance		Capacitance (pF)
		IR(MΩ)	Measure Voltage(V)	
TSA201M	160~240	Over 100	DC100	1Max
TSA301L	255~345	Over 100	DC100	1Max
TSA301M	240~360	Over 100	DC100	1Max
TSA401M	320~480	Over 100	DC100	1Max
TSA501M	400~600	Over 100	DC100	1Max
TSA601M	480~720	Over 100	DC100	1Max

CHARACTERISTICS

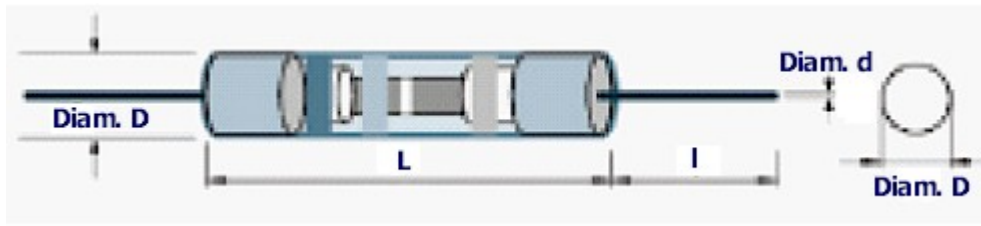
Values in [] mean change in Ω after test

Cold resistance	To meet the specified value	-55±3℃, 1000hr, measure Vs, IR, C
Heat resistance	To meet the specified value	125±2℃, 1000hr, measure Vs, IR, C
Moisture resistance	To meet the specified value	85+2℃, 85%RH, 1000hr, 1.5hr On/0.5hr Off, Measure Vs, IR, C
Dump heat, Steady state	To meet the specified value	-55±3℃(30min), Room temp(3min), 125±2℃(30min), Room temp(3min), -55±3℃(30min), 200times, measure Vs, IR, C
Surge life	Δ Vs/Vs ≤30%	Apply 10kV to charge a 1.5nF capacitor, 200times, 10sec interval
Surge current capacity	Δ Vs/Vs ≤20%	10/700μs 1.5kV 37.5A±5times

APPLICATIONS



DIMENSIONS



Model	Dimension(mm)				
	L	φD	I	φd	
				T type	R type
TSA	7.0±0.5	3.1±0.5	28.0±3.0	0.5±0.05	0.68±0.05

ORDERING PROCEDURE EXAMPLE

