




## Braking High Power Resistor Assemblies **[Preliminary]**

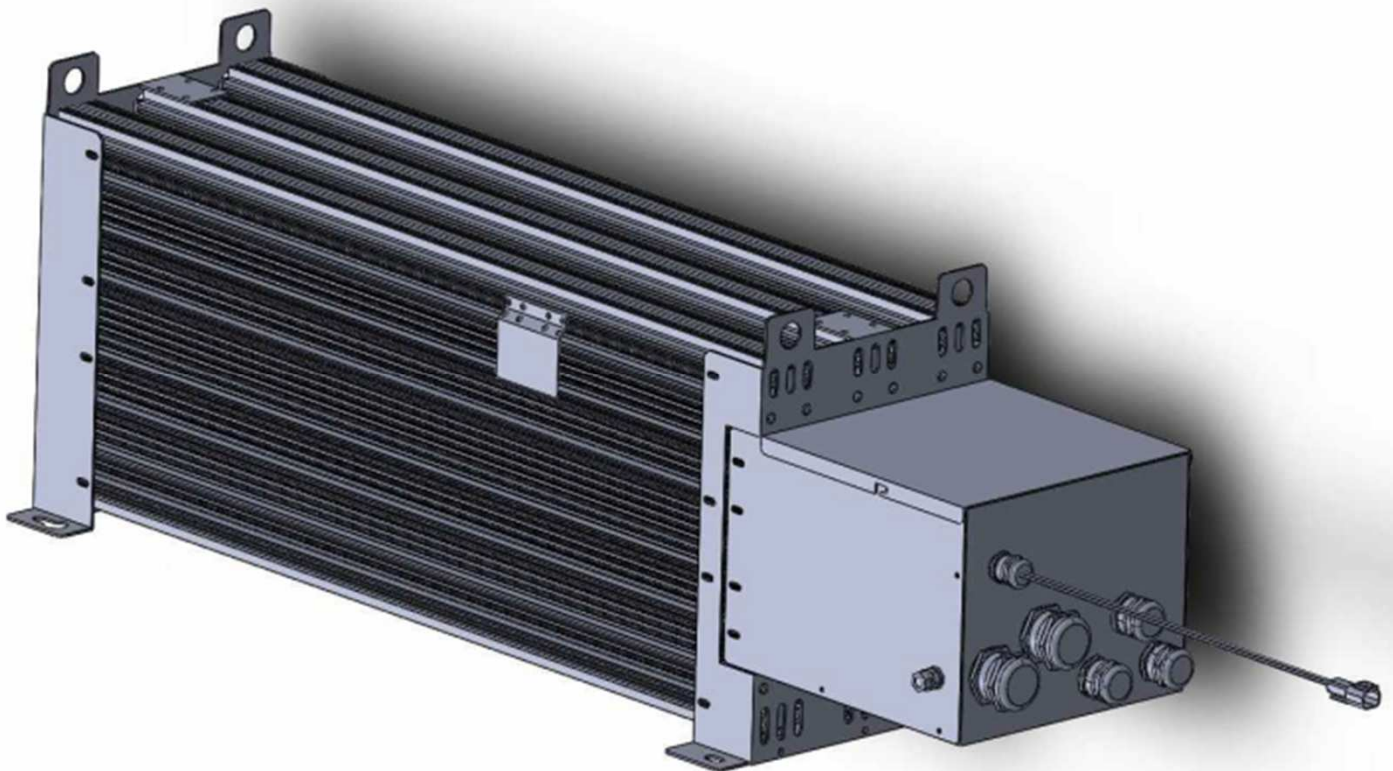
The BRVA432K of high power metal-clad wire wound resistors are designed for industrial high power applications & dump resistor for wind turbine. These models are specially constructed for overload pulses. They have a thermostat as optional.

The most common applications for these models are: motor drives, braking and snubber applications And power sources for industrial equipment.

### GENERAL SPECIFICATIONS

Model	Inside	* Max Pulse Power [Kw]	*Resistance range[Ω]	Tolerance [%]
		*Duty 45 Sec		
BRVA432K	BRV14400 x 3	138	2.0 ~ 240	J[±5%] K[±10%]

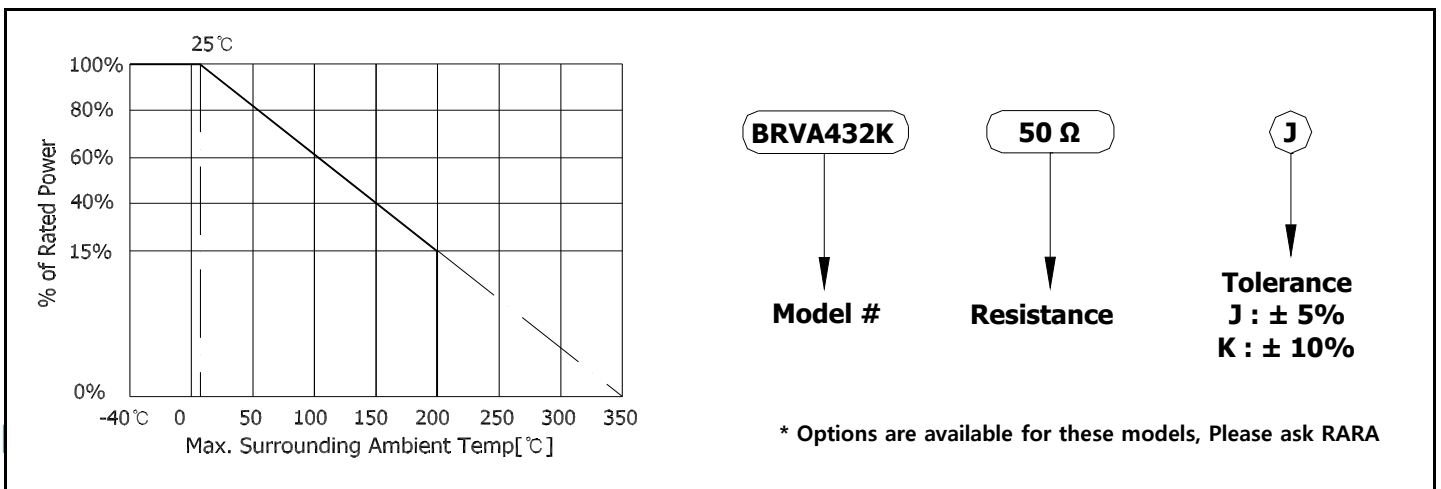
\* One Single square pulse every 1800 Sec ( square pulse =  )



**CHARACTERISTICS**

Test	Condition
Max.Surface Temperature	+350°C
Insulation Resistance	20MΩ minimum
Dielectric Strength	Available options : DC2000V for 1minute, Max leakage current : 10mA
Working Voltage	600VAC
Temperature Coefficient	Max. ± 260ppm/C
Short Time Overload	± [5%+0.05Ω] 10 X Power rating, 5seconds

**SURFACE TEMPERATURE INCREASE VERSUS POWER LOAD & ORDERING PROCEDURE**



**Dimension**

